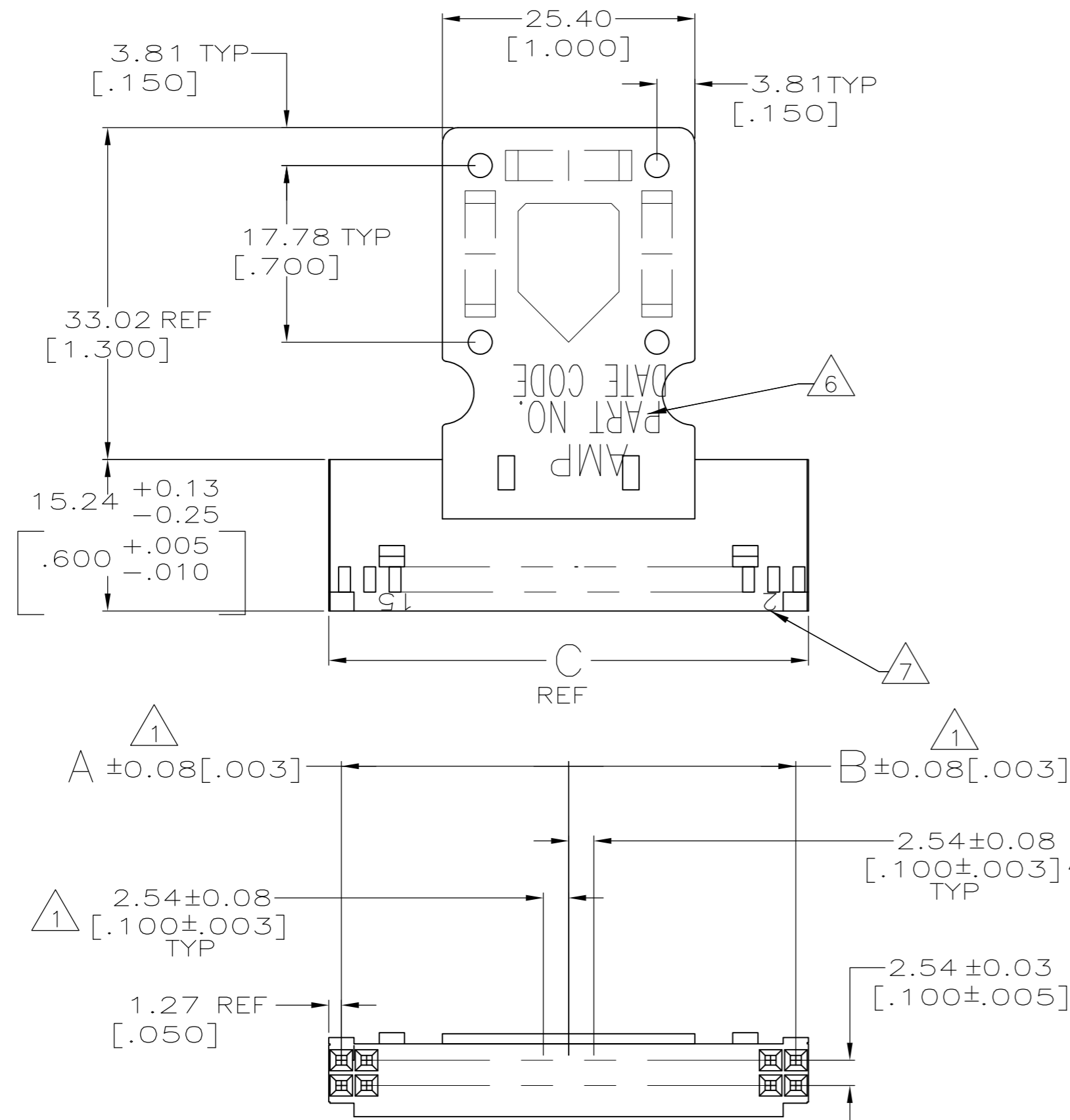
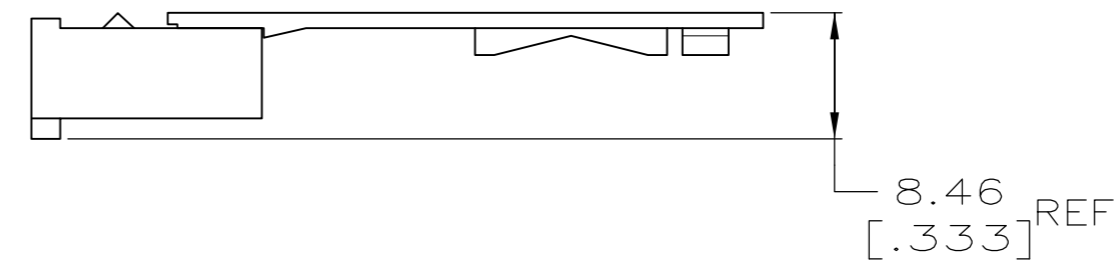


THIS DRAWING IS UNPUBLISHED. RELEASED FOR PUBLICATION
 © COPYRIGHT BY TYCO ELECTRONICS CORPORATION. ALL RIGHTS RESERVED.

| LOC | | DIST | | REVISIONS | | | |
|-----|-----|---------------------------|--|-----------|-----|------|--|
| P | LTR | DESCRIPTION | | DATE | DWN | APVD | |
| | H1 | REVISED PER ECO-08-020746 | | 21AUG08 | HMR | FD | |



- 1 CAVITY LOCATION DIMENSIONS INCREASE IN INCREMENTS OF 2.54 [.100] TOLERANCE NON-CUMULATIVE.
- 2 USE EXTRACTION TOOL 91052-1 TO REMOVE RECEPTACLE CONTACTS.
- 3 THIS HOUSING IS COMPATIBLE WITH MOD II WHROUDED HEADERS.
- 4 HOUSING WILL ACCOMODATE ALL MOD IV, IV.5 AND MOD V CONTACTS.
- 5 OBSOLETE PART NUMBER.
- 6 AMP", PART NO., AND DATE CODE, MARKED(WHITE) EITHER SIDE, 1.58 ±.038 [.046 ±.015] HIGH CHARACTERS.
- 7 MARK(WHITE) 1.17 ±0.38 [.046 ±.015] HIGH CHARACTERS SECOND AND EVERY FIFTH CAVITY ONE SIDE.
- 8 HOUSING: GLASS FILLED NYLON, BLACK
RELIEF: GLASS FILLED NYLON, BLACK



| | | | | |
|--|--|-------------------------------|---|--------------------|
| THIS DRAWING IS A CONTROLLED DOCUMENT. | | DWN E.BRANDBERG 6-16-94 | Tyco Electronics Corporation Harrisburg, PA 17105-3608 | |
| DIMENSIONS: mm [INCHES] | | CHK P. SREMCICH 6-16-94 | NAME HOUSING ASSEMBLY, MOD IV, DBL ROW, 2.54 [.100] | |
| TOLERANCES UNLESS OTHERWISE SPECIFIED: | | APVD - | PRODUCT SPEC - | RESTRICTED TO - |
| 0 PLC ± - | | APPLICATION SPEC - | SIZE A2 | CAGE CODE 00779 |
| 1 PLC ± - | | WEIGHT - | DRAWING NO C=87733 | SCALE 2:1 |
| 2 PLC ± 0.13 [.005] | | CUSTOMER DRAWING | SHEET 1 OF 2 | REV H1 |
| 3 PLC ± - | | | | |
| 4 PLC ± - | | | | |
| ANGLES ± - | | | | |
| FINISH - | | | | |

THIS DRAWING IS UNPUBLISHED. RELEASED FOR PUBLICATION
 © COPYRIGHT BY TYCO ELECTRONICS CORPORATION. ALL RIGHTS RESERVED.

| LOC | DIST | REVISIONS | | | | | |
|-----|------|-----------|-----|-------------|------|-----|------|
| AD | 39 | P | LTR | DESCRIPTION | DATE | DWN | APVD |
| | | - | | SEE SHEET 1 | - | - | - |

| | | | | | | |
|---------|------------------|------------------|------------------|------------|-----|-------------|
| NONE | 81.28 [3.200] | 38.10 [1.500] | 40.64 [1.600] | 64 | △ 5 | 5-87733-0 |
| NONE | 73.66 [2.900] | 35.56 [1.400] | 35.56 [1.400] | 58 | △ 5 | 4-87733-9 |
| NONE | 71.12 [2.800] | 33.02 [1.300] | 35.56 [1.400] | 56 | △ 5 | 4-87733-8 |
| NONE | 60.96 [2.400] | 27.94 [1.100] | 30.48 [1.200] | 48 | △ 5 | 4-87733-7 |
| NONE | 91.44 [3.600] | 43.18 [1.700] | 45.72 [1.800] | 72 | △ 5 | 4-87733-6 |
| NONE | 88.90 [3.500] | 43.18 [1.700] | 43.18 [1.700] | 70 | △ 5 | 4-87733-5 |
| NONE | 83.82 [3.300] | 40.64 [1.600] | 40.64 [1.600] | 66 | △ 5 | 4-87733-4 |
| NONE | 76.20 [3.000] | 35.56 [1.400] | 38.10 [1.500] | 60 | △ 5 | 4-87733-3 |
| NONE | 68.58 [2.700] | 33.02 [1.300] | 33.02 [1.300] | 54 | △ 5 | 4-87733-2 |
| NONE | 66.04 [2.600] | 30.48 [1.200] | 33.02 [1.300] | 52 | △ 5 | 4-87733-1 |
| NONE | 63.50 [2.500] | 30.48 [1.200] | 30.48 [1.200] | 50 | △ 5 | 4-87733-0 |
| NONE | 55.88 [2.200] | 25.40 [1.000] | 27.94 [1.100] | 44 | △ 5 | 3-87733-9 |
| NONE | 53.34 [2.100] | 25.40 [1.000] | 25.40 [1.000] | 42 | △ 5 | 3-87733-8 |
| NONE | 50.80 [2.000] | 22.86 [.900] | 25.40 [1.000] | 40 | △ 5 | 3-87733-7 |
| NONE | 48.26 [1.900] | 22.86 [.900] | 22.86 [.900] | 38 | △ 5 | 3-87733-6 |
| NONE | 45.72 [1.800] | 20.32 [.800] | 22.86 [.900] | 36 | △ 5 | 3-87733-5 |
| NONE | 43.18 [1.700] | 20.32 [.800] | 20.32 [.800] | 34 | △ 5 | 3-87733-4 |
| NONE | 40.64 [1.600] | 17.78 [.700] | 20.32 [.800] | 32 | △ 5 | 3-87733-3 |
| NONE | 38.10 [1.500] | 17.78 [.700] | 17.78 [.700] | 30 | △ 5 | 3-87733-2 |
| NONE | 35.56 [1.400] | 15.24 [.600] | 17.78 [.700] | 28 | △ 5 | 3-87733-1 |
| NONE | 33.02 [1.300] | 15.24 [.600] | 15.24 [.600] | 26 | △ 5 | 3-87733-0 |
| NONE | 30.48 [1.200] | 12.70 [.500] | 15.24 [.600] | 24 | △ 5 | 2-87733-9 |
| NONE | 27.94 [1.100] | 12.70 [.500] | 12.70 [.500] | 22 | | 2-87733-8 |
| NONE | 25.4 [1.000] | 10.16 [.400] | 12.70 [.500] | 20 | △ 5 | 2-87733-7 |
| ALL | 81.28 [3.200] | 38.10 [1.500] | 40.64 [1.600] | 64 | △ 5 | 2-87733-6 |
| MARKING | C | B | A | NO OF POSN | | PART NUMBER |

| | | | | | | |
|---------|------------------|------------------|------------------|------------|-----|-------------|
| ALL | 73.66 [2.900] | 35.56 [1.400] | 35.56 [1.400] | 58 | △ 5 | 2-87733-5 |
| ALL | 71.12 [2.800] | 33.02 [1.300] | 35.56 [1.400] | 56 | △ 5 | 2-87733-4 |
| ALL | 60.96 [2.400] | 27.94 [1.100] | 30.48 [1.200] | 48 | △ 5 | 2-87733-3 |
| - | - | - | - | - | | - |
| - | - | - | - | - | | - |
| ALL | 91.44 [3.600] | 43.18 [1.700] | 45.72 [1.800] | 72 | △ 5 | 2-87733-0 |
| ALL | 88.90 [3.500] | 43.18 [1.700] | 43.18 [1.700] | 70 | △ 5 | 1-87733-9 |
| ALL | 83.82 [3.300] | 40.64 [1.600] | 40.64 [1.600] | 66 | △ 5 | 1-87733-8 |
| ALL | 76.20 [3.000] | 35.56 [1.400] | 38.10 [1.500] | 60 | | 1-87733-7 |
| ALL | 68.58 [2.700] | 33.02 [1.300] | 33.02 [1.300] | 54 | △ 5 | 1-87733-6 |
| ALL | 66.04 [2.600] | 30.48 [1.200] | 33.02 [1.300] | 52 | △ 5 | 1-87733-5 |
| ALL | 63.50 [2.500] | 30.48 [1.200] | 30.48 [1.200] | 50 | | 1-87733-4 |
| ALL | 55.88 [2.200] | 25.40 [1.000] | 27.94 [1.100] | 44 | △ 5 | 1-87733-3 |
| ALL | 53.34 [2.100] | 25.40 [1.000] | 25.40 [1.000] | 42 | △ 5 | 1-87733-2 |
| ALL | 50.80 [2.000] | 22.86 [.900] | 25.40 [1.000] | 40 | | 1-87733-1 |
| ALL | 48.26 [1.900] | 22.86 [.900] | 22.86 [.900] | 38 | △ 5 | 1-87733-0 |
| ALL | 45.72 [1.800] | 20.32 [.800] | 22.86 [.900] | 36 | △ 5 | 87733-9 |
| ALL | 43.18 [1.700] | 20.32 [.800] | 20.32 [.800] | 34 | | 87733-8 |
| ALL | 40.64 [1.600] | 17.78 [.700] | 20.32 [.800] | 32 | | 87733-7 |
| ALL | 38.10 [1.500] | 17.78 [.700] | 17.78 [.700] | 30 | | 87733-6 |
| ALL | 35.56 [1.400] | 15.24 [.600] | 17.78 [.700] | 28 | △ 5 | 87733-5 |
| ALL | 33.02 [1.300] | 15.24 [.600] | 15.24 [.600] | 26 | | 87733-4 |
| ALL | 30.48 [1.200] | 12.70 [.500] | 15.24 [.600] | 24 | | 87733-3 |
| ALL | 27.94 [1.100] | 12.70 [.500] | 12.70 [.500] | 22 | △ 5 | 87733-2 |
| ALL | 25.4 [1.000] | 10.16 [.400] | 12.70 [.500] | 20 | | 87733-1 |
| MARKING | C | B | A | NO OF POSN | | PART NUMBER |

THIS DRAWING IS A CONTROLLED DOCUMENT.

| | | | |
|----------------------------|--|---|---|
| DIMENSIONS: mm [INCHES] | TOLERANCES UNLESS OTHERWISE SPECIFIED: 0 PLC ± - 1 PLC ± - 2 PLC ± 0.13[.005] 3 PLC ± - 4 PLC ± - ANGLES ± - | DWN E. BRANDBERG 6-16-94 CHK P. SREMCICH 6-16-94 APVD - PRODUCT SPEC - APPLICATION SPEC - WEIGHT - | NAME Tyco Electronics Corporation Harrisburg, PA 17105-3608 HOUSING ASSEMBLY, MOD IV, DBL ROW, 2.54[.100] |
| MATERIAL △ 8 | FINISH - | SIZE A2 | CAGE CODE 00779 |
| CUSTOMER DRAWING | | DRAWING NO C=87733 | RESTRICTED TO - |
| SCALE 2:1 | | SHEET 2 OF 2 | REV H1 |